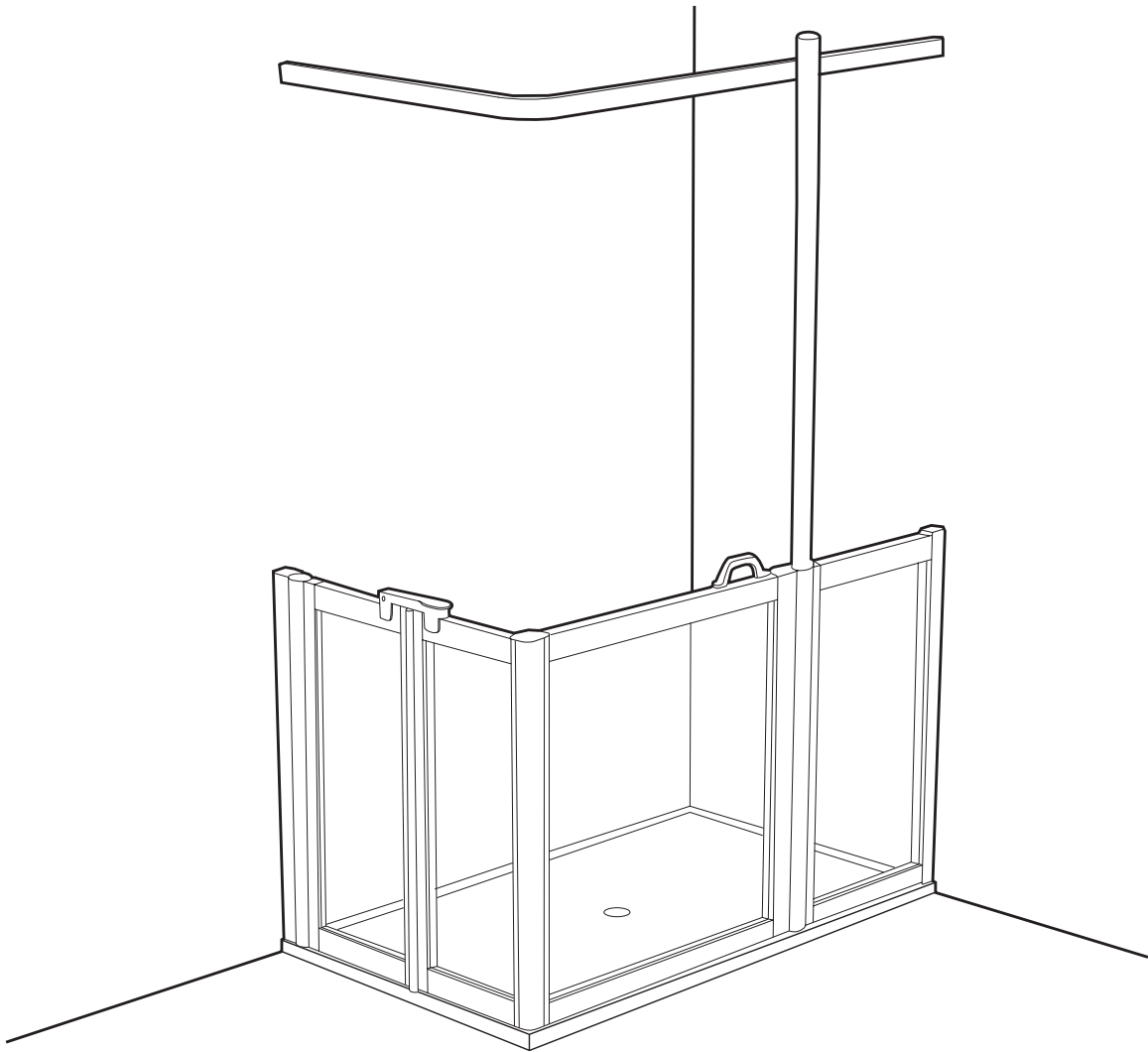


Shower enclosure care instructions

To be left with customer.



DO

1. Clean unit immediately after use to prevent the build up of dirt and limescale.
2. To Clean use warm soapy water with a small amount of washing up liquid.

DO NOT

1. Do not use bleach or cleaners containing bleach on the unit as it can damage the tray.
2. Do not leave soap/shampoo on the tray surface as this may cause permanent discolouration.
3. Do not use bathroom limescale remover or any acidic or alkali cleaners.
4. Do not use household chemicals to clean the unit as they can damage the surface.

We do not approve the use of power showers in special needs shower trays.

adaptocare
THE PROFESSIONALS' CHOICE

244 Nuneaton Street Glasgow G40 3DX

t: 0141 550 4177 f: 0141 554 4171 e: info@adaptocare.co.uk www.adaptocare.co.uk