

### Data Sheet

## Ossian

Low Access shower tray floor mounted to provide walk in access with a 35mm access profile. Can be combined with a ramp for wheelchair access.

Additionally can be set into the floor to provide level access.

The waste position of the Ossian is ideally located to avoid joists and can be rotated to suit the installation as it is not handed.



### Sizes available:

- 1200mm x 650mm
- 1200mm x 700mm
- 1200mm x 760mm
- 1200mm x 800mm
- 1300mm x 650mm
- 1300mm x 700mm
- 1400mm x 700mm
- 1400mm x 800mm
- 1500mm x 710mm

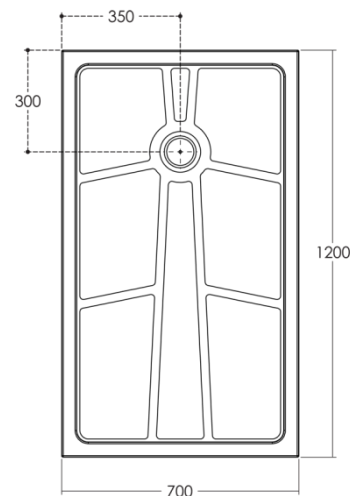
Supplied complete with McAlpine STW5-R & waste, and aluminium tiling upstand. Other trap options available from the McAlpine range.

Manufactured from Glass Reinforced Plastic (GRP) with white gel coat capping and fire retardant resin.

Independently tested to withstand a weight of 100st (630kg).

The resin transfer moulding (RTM) process maintains consistency of product and greatly reduces harmful fumes from being emitted into the environment.

All Adaptocare trays are 95% recyclable.



Please note that all Adaptocare trays are compatible with Whale pumps.

Note: Power showers are not suitable for special needs trays and wet floors. The shower unit has a suitable flow rate. Mixer valve showers may require a regulator should the flow rate exceed 9ltr/min. A lifetime guarantee is extended across the full range of Adaptocare trays.