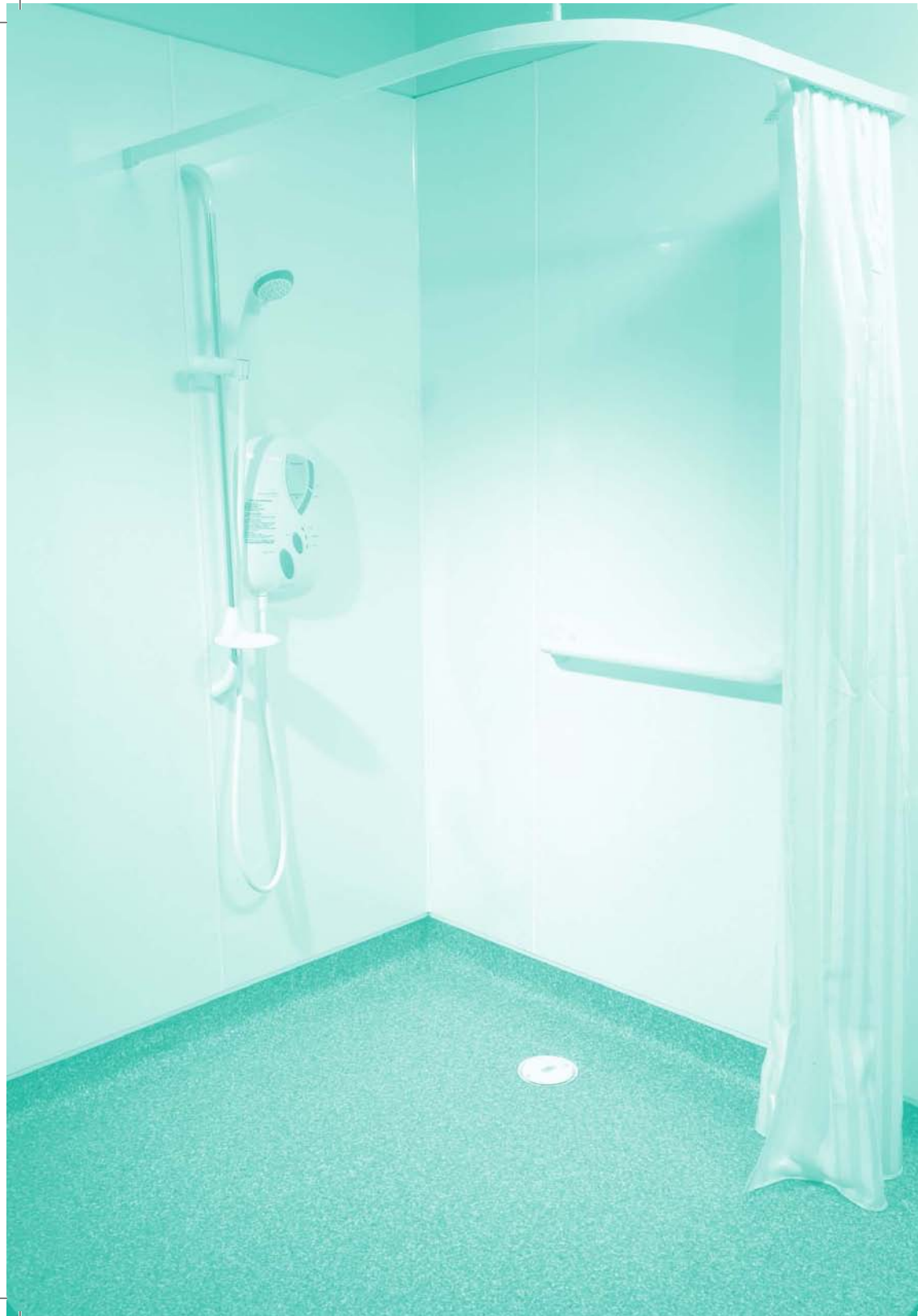


Flowaway[®]

installation instructions



adaptocare



Before beginning installation, please check:

All component parts of your assembly, including fixings, are present and in good condition. Any shortages or damaged goods should be reported immediately.

The shower unit has a suitable flow rate. Power showers are **NOT** suitable for special needs trays or wet floors.

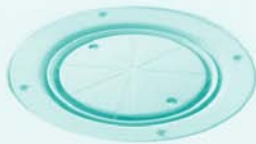
(Note, mixer valve showers may require a regulator should the flow rate exceed 9ltr/min)

Adaptocare recommend using cardboard packaging to protect tray surface from damage during installation.

Attention to detail is paramount in the successful creation of any wet floor area, as nothing is better at finding faults or negative runs than water.

Maintaining levels is critical, not only on the Flowaway preformed base, but also on the surrounding area. Where possible the ply area should have a slight run back into the Flowaway to contain any deflected spray outwith the designated showering area.

It can be a costly process to lift the vinyl or tiles to correct a bad installation. Bearing this in mind, we strongly recommend checking all levels throughout the wet room prior to laying any vinyl or tiling.

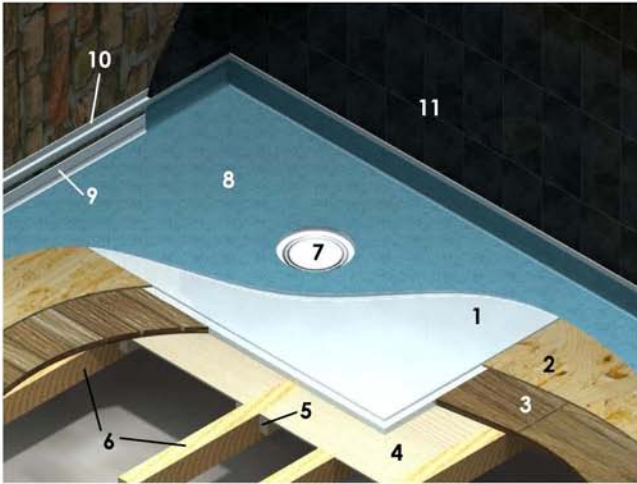


Tools required:

1. Ragging Saw
2. Pozi-Screwdriver
3. Spirit Level
4. Pencil
5. Measuring Tape
6. Silicone

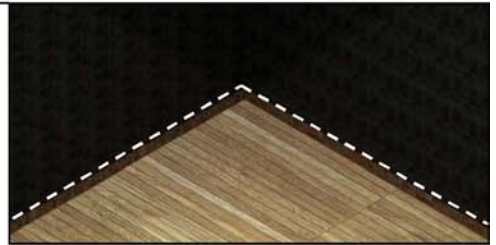
Timber Floor Installation

For solid floor installation go to page 7



1. Flowaway®
2. 6mm ply
3. Floorboards
4. Ply sheeting
5. Dwangs
6. Floor Joists
7. Waste Trap
8. Vinyl Flooring
9. Cove Former
10. Cap Tile Strip
11. Tiled Walls

1. Remove any skirting boards and clear area ready for installation.
2. Remove the bottom row of tiles or wall panels around the perimeter of the room.



3. Carefully position the wet floor base and mark perimeter on the floor.



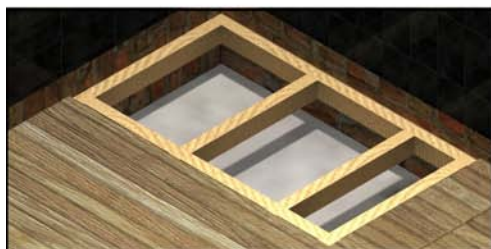
4. Using this line, cut and remove the floorboards. Identify existing waste outlet and plan waste route.





5. Re-position Flowaway® into the floor to ensure a good fit. Use a short rule or spirit level to ensure it is flush with the wall.

Adaptocare strongly advises *dwanging* and sheeting between the joists with a suitable product (e.g. ply or marine ply). This will provide a stable base and bedding platform for the Flowaway®. **This must be done carefully to ensure levels are maintained.**



6. Using support batons, span the breadth of the joists to create a supporting edge for the Flowaway®, taking care not to offset levels.



7. Secure more batons to joists, at a depth relative to the thickness of the sheeting material.
8. Place sheeting on these batons to ensure sheets sit flush and level with the joists.



9. Once you are sure of the levels, secure sheets in place using suitable screws.

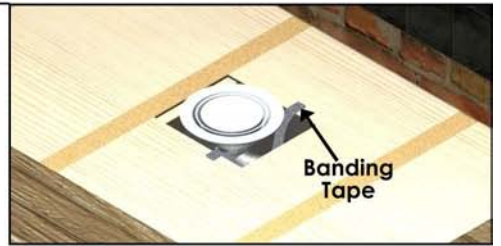
10. Re-position Flowaway® and check levels. Mark the position of the waste.



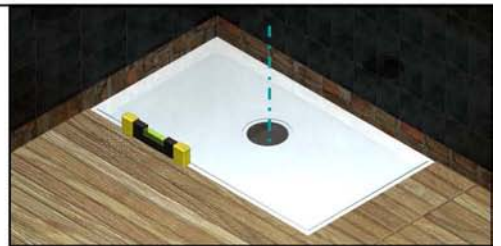
11. Cut a clearance hole in the sheeting for the McAlpine trap supplied.



12. If necessary, secure the trap in position using banding tape from the packaging, positioning it between the joists.

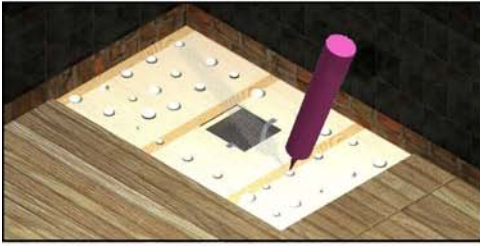


13. Re-position the Flowaway® and ensure the trap aligns with the waste position on the base.



14. In accordance with the manufacturer's instructions, fit the waste system and check levels prior to leaving Flowaway® for curing - check level again with light load applied.



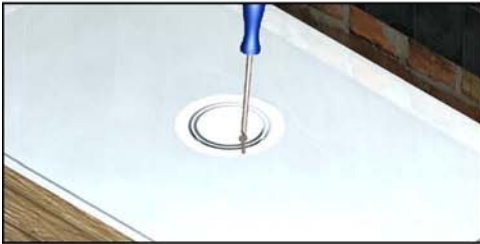


15. Bed down the Flowaway® to the joists using Pink Grip, No Nails or other suitable material.

We do not recommend the use of expanding foam.



16. Using the countersunk holes located on the outside perimeter of the Flowaway®, and timber screws provided, anchor the base to the batons/ joists.

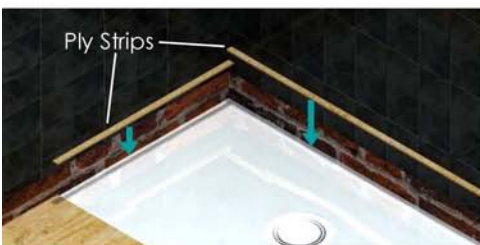


17. Secure the waste gully trap in place using screws.

Tip: For extra stability fix a countersunk screw through the middle of the Flowaway® to anchor it to the joist.

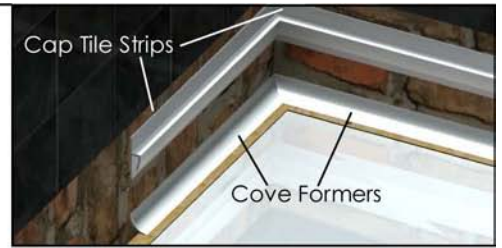


18. Sheet the area with 6mm ply up to the edge of the Flowaway®, covering the 6mm rebate.



19. As the Flowaway® is not handed, strips of 6mm ply must be cut and placed on the inside edge of the unique rebate adjacent to each wall. These should be secured in place using silicone adhesive.

20. Following the manufacturer's instructions, mount a cove former and cap tile strip to each of the 4 walls using the appropriate adhesives respectively.



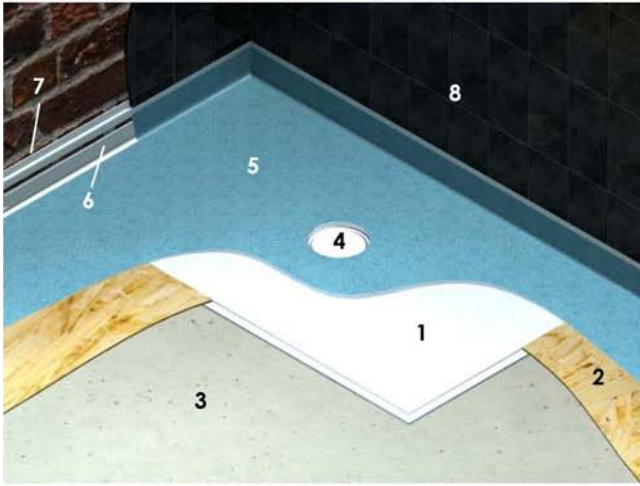
21. The vinyl flooring should be laid throughout the room, covering the Flowaway® and cove formers, and inserted into the vinyl gripper of the cap tile strips around the perimeter of the room.



23. To finish installation, ensure wall panels or tiles are resting on the tiling lip of the cap tile strip and have been sealed along their length with silicone.



Solid Floor Installation



1. Flowaway®
2. 6mm ply
3. Concrete Floor
4. Waste Trap
5. Vinyl Flooring
6. Cove Former
7. Cap Tile Strip
8. Tiled Walls

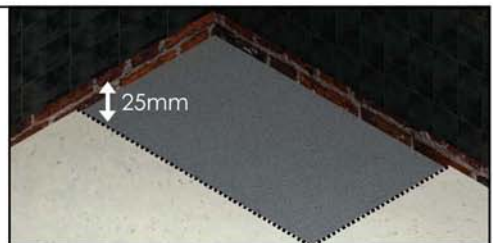
1. Remove any skirting boards and clear area ready for installation.
2. Remove the bottom row of tiles or wall panel around the perimeter of the room.



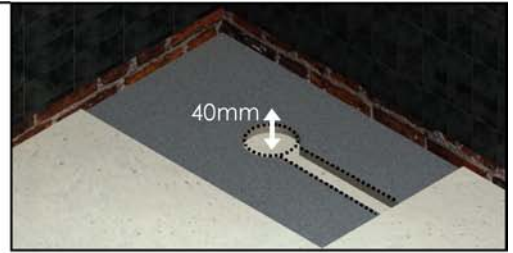
3. Carefully position the wet floor base and mark perimeter on the floor.



4. Using this line, excavate screed to an approximate depth of 25mm, to accommodate 18mm of the Flowaway® and the bedding material.



5. For pumped shower drainage, excavate a small bowl approximately 40mm deep by 150mm diameter to house the shower waste pump gully. Some minor excavation will also be required for the 15mm waste pipe.

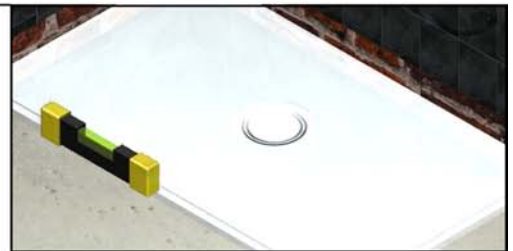


Should a gravity waste be preferred over a shower waste pump gully, further excavation will be required to accommodate the larger trap and waste kit.

6. Re-position Flowaway® into the floor to ensure a good fit. Use a short rule or spirit level to ensure it is flush with the wall.



7. In accordance with the manufacturer's instructions, fit the waste system and check levels prior to leaving Flowaway® for curing - check level again with light load applied.

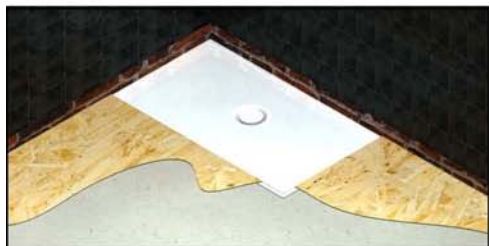


8. Bed down the Flowaway wet floor base using a suitable material which will fill out any voids. We recommend the use of a weak sand and cement mix, thistle plaster or tiling adhesive ensuring all areas are supported and level.





9. Secure the waste gully trap in place using screws.



10. Sheet the area with 6mm ply up to the edge of the Flowaway®, covering the 6mm rebate.



11. As the Flowaway is not handed, strips of 6mm ply must be cut and placed on the inside edge of the unique rebate adjacent to each wall. These should be secured in place using silicone adhesive.

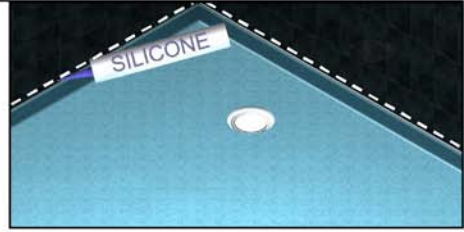


12. Following the manufacturer's instructions, mount a cove former and cap tile strip to each of the 4 walls using the appropriate adhesives respectively.



13. The vinyl flooring should be laid throughout the room, covering the Flowaway® and cove formers, and inserted into the vinyl gripper of the cap tile strips around the perimeter of the room.

15. To finish installation, ensure wall panels or tiles are resting on the tiling lip of the cap tile strip and have been sealed along their length with silicone.



Remember:

Attention to detail is paramount in the successful creation of any wet floor area, as nothing is better at finding faults or negative runs than water.

Maintaining levels is critical, not only on the Flowaway preformed base, but also on the surrounding area. Where possible the ply area should have a slight run back into the Flowaway to contain any deflected spray outwith the designated showering area.

It can be a costly process to lift the vinyl or tiles to correct a bad installation. Bearing this in mind, we strongly recommend checking all levels throughout the wet room prior to laying any vinyl or tiling.

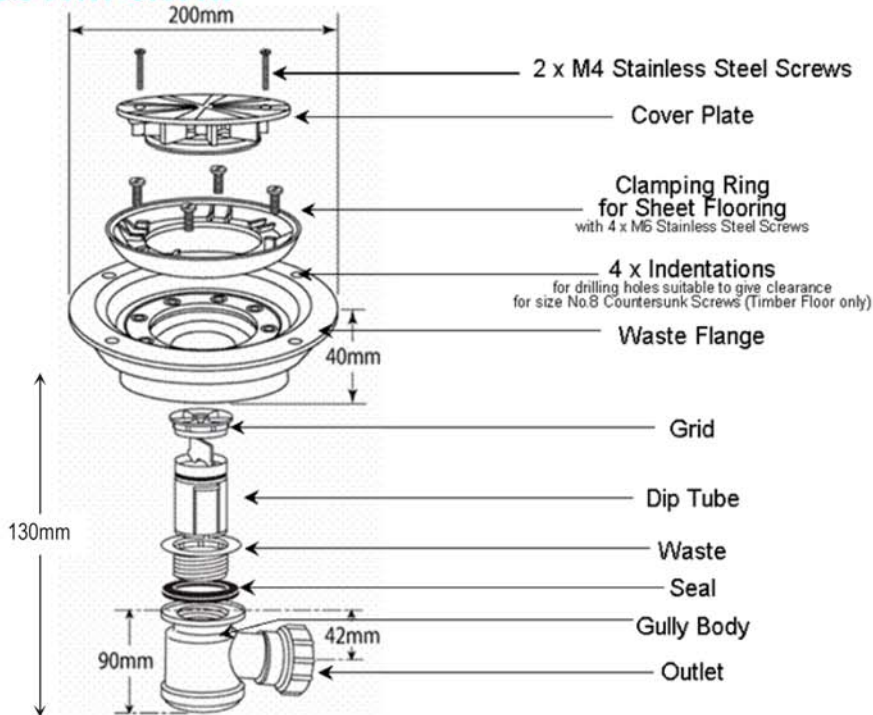
Waste Systems

Adaptocare provide a McAlpine **TSG1WH-STW1R** trapped shower gully with all of the Flowaway® wet floor bases that we supply. If there is not enough clearance available for this trap then we can provide the shallower option, the McAlpine **TSG50WH** trapped shower gully, on request.

If neither of these products are suitable then we would recommend the use of a pumped waste system, for which we can provide the McAlpine **USG1WH** untrapped shower gully as part of a suitable shower waste pump kit.

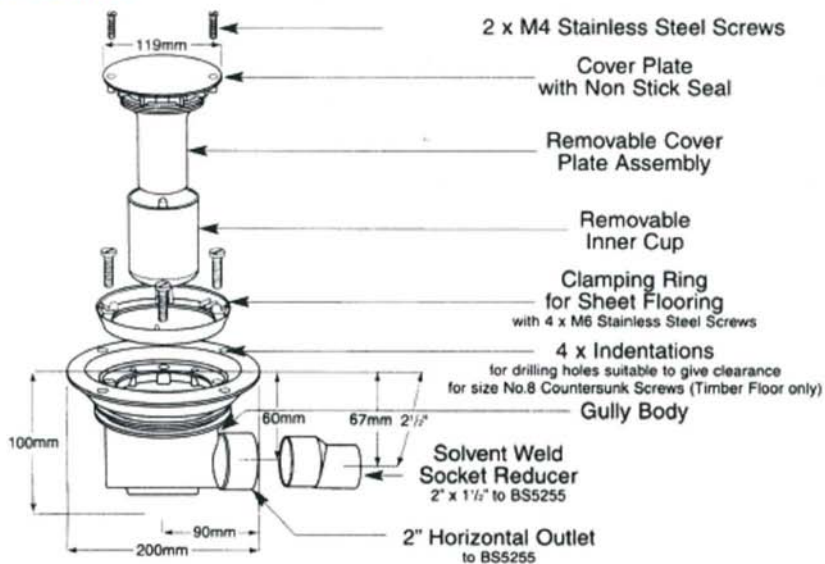
Please consult the measurements on the attached diagrams to establish which system would be the most appropriate for your specific installation.

TSG1WH-STW1R



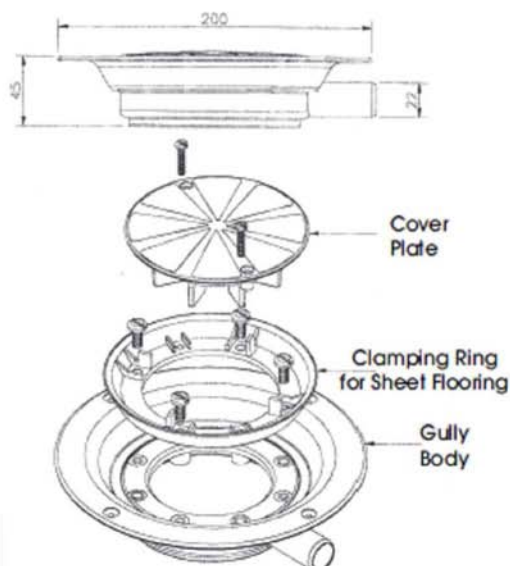
Depth required from the underside of the Flowaway to the floor surface: **130mm**

TSG50WH



Depth required from the underside of the Flowaway to the floor surface: **100mm**

USG1WH



Depth required from the underside of the Flowaway to the floor surface: **45mm**

adaptocare



*Please feel free to drop into
our showroom at:*

244 Nuneaton Street,
Glasgow, G40 3DX

Tel: 0141 550 4177
Fax: 0141 554 4171

Email:
info@adaptocare.co.uk

Website:
www.adaptocare.co.uk